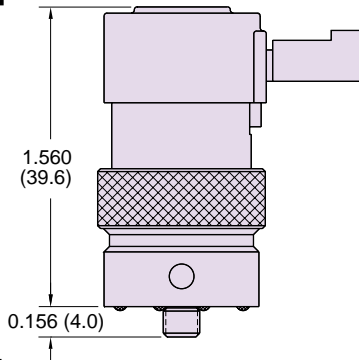


# EVP SERIES PROPORTIONAL CONTROL VALVES MANIFOLD MOUNT

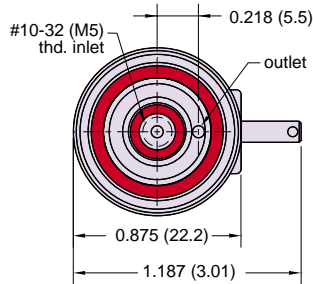


**EC - PM - □ - □ □ - □**



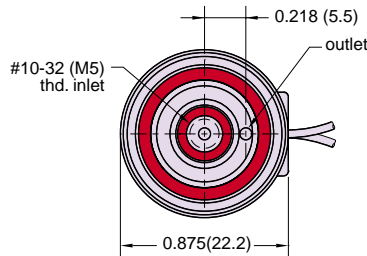
**Type:** 2-Way, Proportional  
**Medium:** Air, Inert Gases  
**Temperature Range:** 32° to 120° F  
**Power Consumption:** 1.9 watts at 23°C 2.3 watts max.  
**Mounting:** Manifold  
**Ports:** #10-32 (M5) male stud

**ET - PM - □ - □ □ □ - □**



Orifice Diameter (in.)	Rated Pressure (psig)	Flow at Max. Current (scfh)
0.009	100	5.7±10%
0.013	100	14.2±10%
0.025	100	50.0±10%
0.040	50	40.0±10%
0.060	25	30.0±10%

**EV - PM - □ - □ □ □ - □**



Nominal Voltage Range at 23°C (vdc)	Input Current Range (amps)	Coil Resistance at 23°C (ohms)	Max. Voltage Required (vdc)
0 - 5	0 - 0.370	13.5	6.2
0 - 10	0 - 0.185	54	12.4
0 - 20	0 - 0.092	218	24.8

The EVP Proportional Valve can be calibrated for pressures less than the maximum shown here. Lower pressures may be substituted, and will be used for calibration. The pressures shown above are standard options. For pressures less than 10 psig, please consult factory.

## NUMBERING SYSTEM

**E** □ - **P** **M** - □ - □ □ - □

**C** - Connector  
**T** - Terminal Spades  
**V** - Wire Leads

**Voltages: \***  
**05** - 0-5 VDC  
**10** - 0-10 VDC  
**20** - 0-20 VDC

**Orifice Options: §**  
**09** - 0.009 dia.  
**13** - 0.013 dia.  
**25** - 0.025 dia.  
**40** - 0.040 dia.  
**60** - 0.060 dia.

**Maximum Pressure: §**  
**25** - 25 psig  
**50** - 50 psig  
**A0** - 100 psig  
**25** - 25 psig  
**50** - 50 psig  
**25** - 25 psig

**Options:**  
**Blank** - none  
**E** - EPDM  
**V** - Viton® seals

**Ports:**  
**Blank** - #10-32  
**M5** - Metric

\* Consult factory for availability of non-standard voltages and other options

§ Standard Orifice Configurations  
 09A0 13A0 25A0  
 4050 6025

Sample part number:  
 EC-PM-10-25A0

For Cable and Connectors, see Page 184.